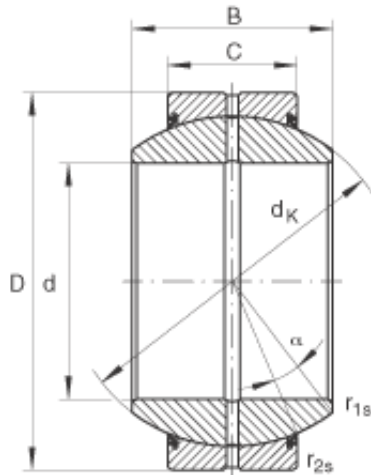




OLIE BEARING COMPANY



INA GE180-FO-2RS Spherical Plain Bearings

Bearing No. GE180-FO-2RS

GE180-FO-2RS Bearing 2D drawings and 3D CAD models

Size	180x290x155 mm
Bore Diameter	180 mm
Outer Diameter	290 mm
Width	155 mm
C	100 mm
$D_{a \min}$	239 mm
$d_{a \max}$	196,1 mm
d_K	250 mm
$r_{1s \min}$	1,1 mm
$r_{2s \min}$	1,1 mm
alf (°)	14
Weight (kg)	35,4
C_r (N)	2130000
C_{Or} (N)	10600000
Category	Spherical Plain Bearings - Radial
Inventory	0.0
Manufacturer Name	SCHAEFFLER GROUP
Minimum Buy Quantity	N/A
Weight / Kilogram	42.99
EAN	4012802534177
Product Group	B04264
Self Aligning	Yes
Rolling Element	Spherical Plain
Material - Outer Member	Steel
Material - Ball	Steel



OLIE BEARING COMPANY

Material - Liner	Not Applicable
Relubricatable	Yes
Enclosure	2 Seals
Other Features	2 Piece Single Axial Split in Outer Ring Wide Inner Ring with Increased Tilting Angle
Long Description	180MM Bore; 100MM Housing Width; 290MM Outside Diameter; Spherical Plain; Steel Outer Member; Steel Ball; No Liner; 155MM Overall Width; Relubricatable
Inch - Metric	Metric
Category	Plain Bearings Spherical Radial
UNSPSC	31171515
Harmonized Tariff Code	8483.30.80.70
Noun	Bearing
Keyword 3	Spherical
Keyword String	Plain Spherical Radial
Manufacturer URL	http://www.ina.com
Manufacturer Item Number	GE180FO2RS
Weight / LBS	78.278
Overall Width	6.102 Inch 155 Millimeter
Housing Width	3.937 Inch 100 Millimeter
Bore	7.087 Inch 180 Millimeter
Outside Diameter	11.417 Inch 290 Millimeter