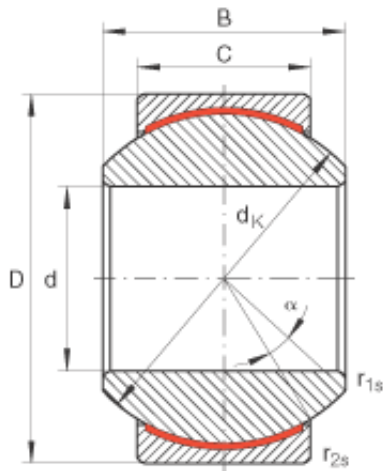




OLIE BEARING COMPANY



GE25-PW Bearing 2D drawings and 3D CAD models

INA GE25-PW Spherical Plain Bearings

Bearing No. GE25-PW

Size	25x47x31 mm
Bore Diameter	25 mm
Outer Diameter	47 mm
Width	31 mm
C	22 mm
$D_{a \min}$	38,5 mm
$d_{a \max}$	29,5 mm
d_K	42,85 mm
$r_{1s \min}$	0,3 mm
$r_{2s \min}$	0,6 mm
alf (°)	15
Weight (kg)	0,24
C_r (N)	84800
C_{0r} (N)	212000
Category	Spherical Plain Bearings - Radial
Inventory	0.0
Manufacturer Name	SCHAEFFLER GROUP
Minimum Buy Quantity	N/A
Weight / Kilogram	0.287
EAN	4012802531633
Product Group	B04264
Self Aligning	Yes
Rolling Element	Spherical Plain
Material - Outer Member	Steel
Material - Ball	Steel



OLIE BEARING COMPANY

Material - Liner	Bronze Teflon
Relubricatable	No
Enclosure	Open
Other Features	3 Piece Maintenance Free
Long Description	25MM Bore; 22MM Housing Width; 47MM Outside Diameter; Spherical Plain; Steel Outer Member; Steel Ball; Bronze Teflon Liner; 31MM Overall Width; Not Relubricatable
Inch - Metric	Metric
Category	Plain Bearings Spherical Radial
UNSPSC	31171515
Harmonized Tariff Code	8483.30.80.70
Noun	Bearing
Keyword 3	Spherical
Keyword String	Plain Spherical Radial
Manufacturer URL	http://www.ina.com
Manufacturer Item Number	GE25PW
Weight / LBS	0.529
Bore	0.984 Inch 25 Millimeter
Housing Width	0.866 Inch 22 Millimeter
Overall Width	1.22 Inch 31 Millimeter
Outside Diameter	1.85 Inch 47 Millimeter