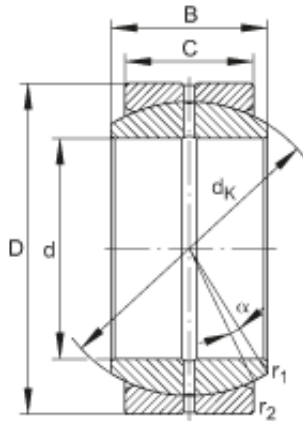




OLIE BEARING COMPANY



INA GE45-DO Spherical Plain Bearings

Bearing No. GE45-DO

Size	45x68x32 mm
Bore Diameter	45 mm
Outer Diameter	68 mm
Width	32 mm
C	25 mm
$D_{a \min}$	57 mm
$d_{a \max}$	50,7 mm
d_k	60 mm
$r_{1s \min}$	0,6 mm
$r_{2s \min}$	1 mm
alf (°)	7
Weight (kg)	0,41
C_r (N)	128000
C_{Or} (N)	639000
Category	Spherical Plain Bearings - Radial
Inventory	0.0
Manufacturer Name	SCHAEFFLER GROUP
Minimum Buy Quantity	N/A
Weight / Kilogram	0.491
EAN	4012802039030
Product Group	B04264
Self Aligning	Yes
Rolling Element	Spherical Plain
Material - Outer Member	Steel
Material - Ball	Steel

GE45-DO Bearing 2D drawings and 3D CAD models



OLIE BEARING COMPANY

Material - Liner	Not Applicable
Relubricatable	Yes
Enclosure	Open
Other Features	2 Piece Single Axial Split in Outer Ring
Long Description	45MM Bore; 25MM Housing Width; 68MM Outside Diameter; Spherical Plain; Steel Outer Member; Steel Ball; No Liner; 32MM Overall Width; Relubricatable
Inch - Metric	Metric
Category	Plain Bearings Spherical Radial
UNSPSC	31171515
Harmonized Tariff Code	8483.30.80.70
Noun	Bearing
Keyword 3	Spherical
Keyword String	Plain Spherical Radial
Manufacturer URL	http://www.ina.com
Manufacturer Item Number	GE45DO
Weight / LBS	0.882
Bore	1.772 Inch 45 Millimeter
Overall Width	1.26 Inch 32 Millimeter
Housing Width	0.984 Inch 25 Millimeter
Outside Diameter	2.677 Inch 68 Millimeter