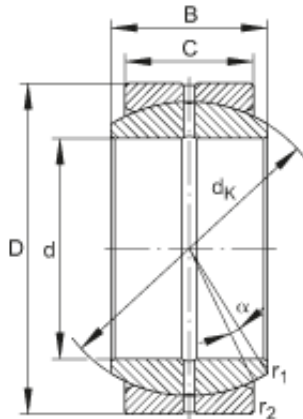




OLIE BEARING COMPANY



INA GE12-DO Spherical Plain Bearings

Bearing No. GE12-DO

Size	12x22x10 mm
Bore Diameter	12 mm
Outer Diameter	22 mm
Width	10 mm
C	7 mm
$D_{a \min}$	17,5 mm
$d_{a \max}$	14,9 mm
d_k	18 mm
$r_{1s \min}$	0,3 mm
$r_{2s \min}$	0,3 mm
alf (°)	11
Weight (kg)	0,016
C_r (N)	10800
C_{0r} (N)	54000
Category	Spherical Plain Bearings - Radial
Inventory	0.0
Manufacturer Name	SCHAEFFLER GROUP
Minimum Buy Quantity	N/A
Weight / Kilogram	0.022
EAN	4012802532937
Product Group	B04264
Self Aligning	Yes
Rolling Element	Spherical Plain
Material - Outer Member	Steel
Material - Ball	Steel

GE12-DO Bearing 2D drawings and 3D CAD models



OLIE BEARING COMPANY

Material - Liner	Not Applicable
Relubricatable	Yes
Enclosure	Open
Other Features	2 Piece Single Axial Split in Outer Ring
Long Description	12MM Bore; 7MM Housing Width; 22MM Outside Diameter; Spherical Plain; Steel Outer Member; Steel Ball; No Liner; 10MM Overall Width; Relubricatable
Inch - Metric	Metric
Category	Plain Bearings Spherical Radial
UNSPSC	31171515
Harmonized Tariff Code	8483.30.80.70
Noun	Bearing
Keyword 3	Spherical
Keyword String	Plain Spherical Radial
Manufacturer URL	http://www.ina.com
Manufacturer Item Number	GE12DO
Weight / LBS	0.035
Overall Width	0.394 Inch 10 Millimeter
Outside Diameter	0.866 Inch 22 Millimeter
Housing Width	0.276 Inch 7 Millimeter
Bore	0.472 Inch 12 Millimeter