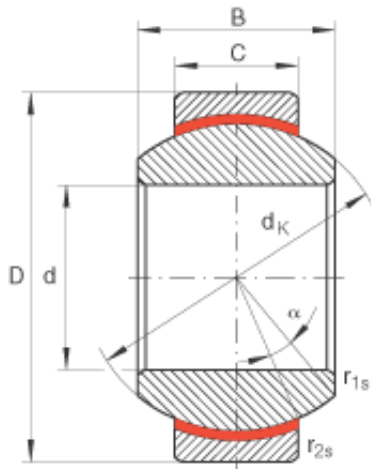




OLIE BEARING COMPANY



GE25-FW Bearing 2D drawings and 3D CAD models

INA GE25-FW Spherical Plain Bearings

Bearing No. GE25-FW

Size	25x47x28 mm
Bore Diameter	25 mm
Outer Diameter	47 mm
Width	28 mm
C	18 mm
$D_{a \min}$	38 mm
$d_{a \max}$	29,5 mm
d_K	40,7 mm
$r_{1s \min}$	0,6 mm
$r_{2s \min}$	0,6 mm
alf (°)	17
Weight (kg)	0,2
C_r (N)	65900
C_{0r} (N)	165000
Category	Spherical Plain Bearings - Radial
Inventory	0.0
Manufacturer Name	SCHAEFFLER GROUP
Minimum Buy Quantity	N/A
Weight / Kilogram	0.239
EAN	4012802531619
Product Group	B04264
Self Aligning	Yes
Rolling Element	Spherical Plain
Material - Outer Member	Steel
Material - Ball	Steel



OLIE BEARING COMPANY

Material - Liner	Teflon
Relubricatable	No
Enclosure	Open
Other Features	2 Piece Wide Inner Ring Larger Tilt Angle
Long Description	25MM Bore; 18MM Housing Width; 47MM Outside Diameter; Spherical Plain; Steel Outer Member; Steel Ball; Teflon Liner; 28MM Overall Width; Not Relubricatable
Inch - Metric	Metric
Category	Plain Bearings Spherical Radial
UNSPSC	31171515
Harmonized Tariff Code	8483.30.80.70
Noun	Bearing
Keyword 3	Spherical
Keyword String	Plain Spherical Radial
Manufacturer URL	http://www.ina.com
Manufacturer Item Number	GE25FW
Weight / LBS	0.419
Bore	0.984 Inch 25 Millimeter
Overall Width	1.102 Inch 28 Millimeter
Housing Width	0.709 Inch 18 Millimeter
Outside Diameter	1.85 Inch 47 Millimeter