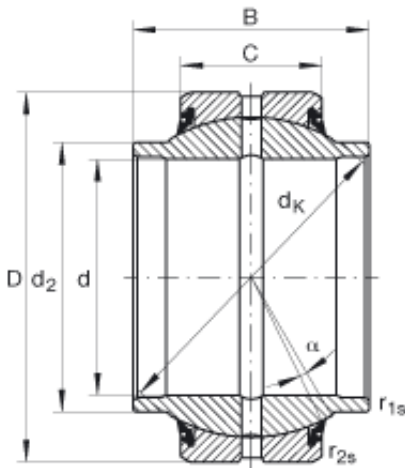




# OLIE BEARING COMPANY



GE30-HO-2RS Bearing 2D drawings and 3D CAD models

## INA GE30-HO-2RS Spherical Plain Bearings

Bearing No. GE30-HO-2RS

Size	30x47x30 mm
Bore Diameter	30 mm
Outer Diameter	47 mm
Width	30 mm
C	18 mm
$D_{a \min}$	38 mm
$d_2$	34,2 mm
$d_K$	40,7 mm
$r_{1s \min}$	0,2 mm
$r_{2s \min}$	0,6 mm
$\alpha$ ( ° )	3
Weight (kg)	0,15
$C_r$ (N)	62300
$C_{Or}$ (N)	311000
Category	Spherical Plain Bearings - Radial
Inventory	0.0
Manufacturer Name	SCHAEFFLER GROUP
Minimum Buy Quantity	N/A
Weight / Kilogram	0
EAN	4012802038705
Product Group	B04264
Component	Complete with Outer and Inner Ring
Self Aligning	Yes
Rolling Element	Spherical Plain Bearing



## OLIE BEARING COMPANY

Material - Outer Member	Steel
Material - Ball	Steel
Material - Liner	Not Applicable
Relubricatable	Yes
Enclosure	2 Seals
Other Features	2 Piece   Extended Inner Ring   Axially Split Outer Ring
Long Description	30MM Bore; 18MM Housing Width; 47MM Outside Diameter; Complete with Outer and Inner Ring; Self Aligning; Spherical Plain Bearing; Steel Outer Member; Steel Ball; 2 Seals; 30MM Overall Width; Relubrica
Inch - Metric	Metric
Category	Plain Bearings Spherical Radial
UNSPSC	31171515
Harmonized Tariff Code	8483.30.80.70
Noun	Bearing
Keyword 3	Spherical
Keyword String	Plain Radial Spherical
Manufacturer URL	<a href="http://www.ina.com">http://www.ina.com</a>
Manufacturer Item Number	GE30HO2RS
Weight / LBS	0.309
Housing Width	0.709 Inch   18 Millimeter
Outside Diameter	1.85 Inch   47 Millimeter
Bore	1.181 Inch   30 Millimeter
Overall Width	1.181 Inch   30 Millimeter