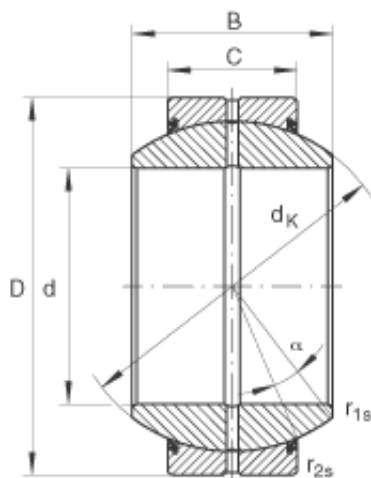




# OLIE BEARING COMPANY



## INA GE17-FO-2RS Spherical Plain Bearings

Bearing No. GE17-FO-2RS

|                         |                                   |
|-------------------------|-----------------------------------|
| Size                    | 17x35x20 mm                       |
| Bore Diameter           | 17 mm                             |
| Outer Diameter          | 35 mm                             |
| Width                   | 20 mm                             |
| C                       | 12 mm                             |
| $D_{a \min}$            | 27,5 mm                           |
| $d_{a \max}$            | 21 mm                             |
| $d_K$                   | 29 mm                             |
| $r_{1s \min}$           | 0,3 mm                            |
| $r_{2s \min}$           | 0,3 mm                            |
| alf ( ° )               | 19                                |
| Weight (kg)             | 0,077                             |
| $C_r$ (N)               | 29600                             |
| $C_{Or}$ (N)            | 148000                            |
| Category                | Spherical Plain Bearings - Radial |
| Inventory               | 0.0                               |
| Manufacturer Name       | SCHAEFFLER GROUP                  |
| Minimum Buy Quantity    | N/A                               |
| Weight / Kilogram       | 0.093                             |
| EAN                     | 4012802533231                     |
| Product Group           | B04264                            |
| Self Aligning           | Yes                               |
| Rolling Element         | Spherical Plain                   |
| Material - Outer Member | Steel                             |
| Material - Ball         | Steel                             |

GE17-FO-2RS Bearing 2D drawings and 3D CAD models



## OLIE BEARING COMPANY

|                          |   |
|--------------------------|---|
| Material - Liner         | Not Applicable  |
| Relubricatable           | Yes   |
| Enclosure                | 2 Seals   |
| Other Features           | 2 Piece   Single Axial Split in Outer Ring   Wide Inner Ring with Increased Tilting Angle   |
| Long Description         | 17MM Bore; 12MM Housing Width; 35MM Outside Diameter; Spherical Plain; Steel Outer Member; Steel Ball; No Liner; 20MM Overall Width; Relubricatable |
| Inch - Metric            | Metric  |
| Category                 | Plain Bearings Spherical Radial   |
| UNSPSC                   | 31171515  |
| Harmonized Tariff Code   | 8483.30.80.70   |
| Noun                     | Bearing   |
| Keyword 3                | Spherical   |
| Keyword String           | Plain Spherical Radial  |
| Manufacturer URL         | <a href="http://www.ina.com">http://www.ina.com</a>   |
| Manufacturer Item Number | GE17FO2RS   |
| Weight / LBS             | 0.172   |
| Housing Width            | 0.472 Inch   12 Millimeter  |
| Overall Width            | 0.787 Inch   20 Millimeter  |
| Outside Diameter         | 1.378 Inch   35 Millimeter  |
| Bore                     | 0.669 Inch   17 Millimeter  |