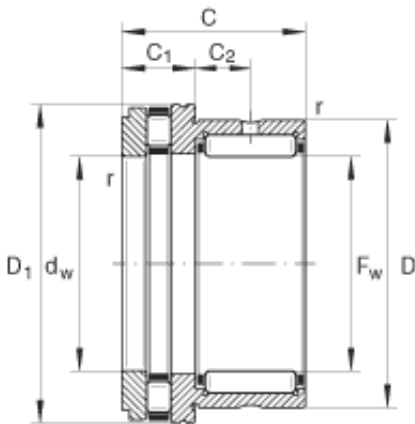


## INA NKXR30 Combination Roller Bearings

Bearing No. NKXR30



NKXR30 Bearing 2D drawings and 3D CAD models

Size	30x42x30 mm
Bore Diameter	30 mm
Outer Diameter	42 mm
Width	30 mm
$F_w$	30 mm
D	42 mm
C - 30 mm / Tolerance: -0,25	30 mm / Tolerance: 0,25
$C_1$ - 11 mm / Tolerance: -0,2	11 mm / Tolerance: 0,2
$C_2$	9,5 mm
$D_{1\max}$	47,1 mm
$d_a$	42,7 mm
$d_w$	30 mm / Tolerance: E8
$r_{a\max}$	0,6 mm
$r_{\min}$	0,6 mm
	NAXR30 / Designation to DIN 5429
m	135 g / Weight
$C_r$	25500 N / Dynamic load rating (radial)
$C_{0r}$	36000 N / Static load rating (radial)
$C_a$	35500 N / Dynamic load rating (axial)
$C_{0a}$	86000 N / Static load rating (axial)



## OLIE BEARING COMPANY

$C_{ur}$	6300 N / Fatigue limit load, radial
$C_{ua}$	8000 N / Fatigue limit load, axial
$n_G$	7500 1/min / Limiting speed
$n_B$	2900 1/min / Reference speed
	IR25X30X20 / Suitable inner ring
Category	Thrust Roller Bearing
Inventory	0.0
Manufacturer Name	SCHAEFFLER GROUP
Minimum Buy Quantity	N/A
Weight / Kilogram	0.14
EAN	4012802292961
Product Group	B04144
Rolling Element	Combination - Needle Roller and Thrust Roller Bearing
Self Aligning	No
Component Description	Roller Assembly plus Raceways
Thrust Bearing	Yes
Single or Double Direction	Single Direction
Banded	No
Cage Material	Steel
Precision Class	ABEC 1   ISO P0
Long Description	30MM Bore 1; 30MM Bore 2; 42MM Outside Diameter; 30MM Height; Combination - Needle Roller and Thrust Roller Bearing; Single Direction; Not Self Aligning; Not Banded; Steel Cage; ABEC 1   ISO P0; Rolle
Inch - Metric	Metric



## OLIE BEARING COMPANY

Category	Thrust Roller Bearings
UNSPSC	31171537
Harmonized Tariff Code	8482.80.00.80
Noun	Bearing
Keyword String	Combination
Manufacturer URL	<a href="http://www.ina.com">http://www.ina.com</a>
Manufacturer Item Number	NKXR30
Weight / LBS	0.298
Overall Height with Aligning Washer	0 Inch   0 Millimeter
Bore 2	1.181 Inch   30 Millimeter
Outside Diameter	1.654 Inch   42 Millimeter
Height	1.181 Inch   30 Millimeter
Bore 1	1.181 Inch   30 Millimeter