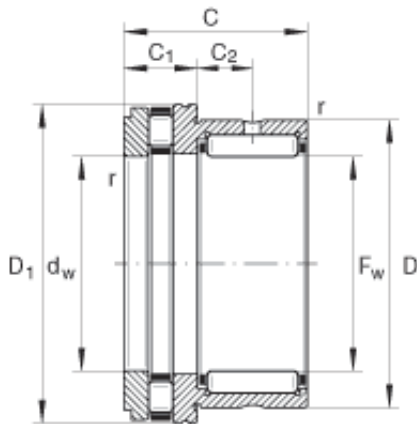


## INA NKXR15 Combination Roller Bearings



Bearing No. NKXR15

Size	15x24x23 mm
Bore Diameter	15 mm
Outer Diameter	24 mm
Width	23 mm
$F_w$	15 mm
D	24 mm
C - 23 mm / Tolerance: -0,25	23 mm / Tolerance: 0,25
$C_1$ - 9 mm / Tolerance: -0,2	9 mm / Tolerance: 0,2
$C_2$	6,5 mm
$D_{1 \max}$	28,1 mm
$d_a$	23,7 mm
$d_w$	15 mm / Tolerance: E8
$r_{a \max}$	0,3 mm
$r_{\min}$	0,3 mm
	NAXR15 / Designation to DIN 5429
m	42 g / Weight
$C_r$	12100 N / Dynamic load rating (radial)
$C_{0r}$	12700 N / Static load rating (radial)
$C_a$	14400 N / Dynamic load rating (axial)
$C_{0a}$	28500 N / Static load rating (axial)
$C_{ur}$	2320 N / Fatigue limit load,

NKXR15 Bearing 2D drawings and 3D CAD models



# OLIE BEARING COMPANY

	radial
$C_{ua}$	4000 N / Fatigue limit load, axial
$n_G$	13000 1/min / Limiting speed
$n_B$	6500 1/min / Reference speed
	IR12X15X16 / Suitable inner ring
Category	Thrust Roller Bearing
Inventory	0.0
Manufacturer Name	SCHAEFFLER GROUP
Minimum Buy Quantity	N/A
Weight / Kilogram	0.04
EAN	4012802060362
Product Group	B00234
Rolling Element	Combination - Needle Roller and Thrust Roller Bearing
Self Aligning	No
Component Description	Roller Assembly plus Raceways
Thrust Bearing	Yes
Single or Double Direction	Single Direction
Banded	No
Cage Material	Steel
Precision Class	ABEC 1   ISO P0
Long Description	15MM Bore 1; 15MM Bore 2; 24MM Outside Diameter; 23MM Height; Combination - Needle Roller and Thrust Roller Bearing; Single Direction; Not Self Aligning; Not Banded; Steel Cage; ABEC 1   ISO P0; Rolle
Inch - Metric	Metric



## OLIE BEARING COMPANY

Category	Thrust Roller Bearings
UNSPSC	31171537
Harmonized Tariff Code	8482.80.00.80
Noun	Bearing
Keyword String	Combination
Manufacturer URL	<a href="http://www.ina.com">http://www.ina.com</a>
Manufacturer Item Number	NKXR15
Weight / LBS	0.093
Outside Diameter	0.945 Inch   24 Millimeter
Height	0.906 Inch   23 Millimeter
Bore 2	0.591 Inch   15 Millimeter
Bore 1	0.591 Inch   15 Millimeter
Overall Height with Aligning Washer	0 Inch   0 Millimeter