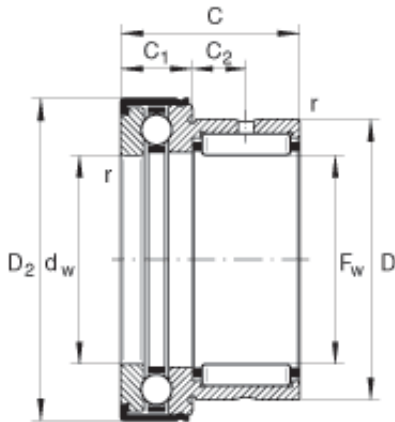


INA NKX12-Z Combination Roller Bearings

Bearing No. NKX12-Z



NKX12-Z Bearing 2D drawings and 3D CAD models

Size	12x21x23 mm
Bore Diameter	12 mm
Outer Diameter	21 mm
Width	23 mm
F_w	12 mm
D	21 mm
C - 23 mm / Tolerance: -0,25	23 mm / Tolerance: 0,25
C_1 - 9 mm / Tolerance: -0,2	9 mm / Tolerance: 0,2
C_2	6,5 mm
D_{2max}	27,2 mm
d_a	21,7 mm
d_w	12 mm / Tolerance: E8
r_{amax}	0,3 mm
r_{min}	0,3 mm
	NAXK12Z / Designation to DIN 5429
m	40 g / Weight
C_r	10100 N / Dynamic load rating (radial)
C_{0r}	11000 N / Static load rating (radial)
C_a	10300 N / Dynamic load rating (axial)
C_{0a}	15400 N / Static load rating (axial)
C_{ur}	1920 N / Fatigue limit load,



OLIE BEARING COMPANY

	radial
C_{ua}	740 N / Fatigue limit load, axial
n_G	11000 1/min / Limiting speed
	IR9X12X16 / Suitable inner ring
Category	Thrust Roller Bearing
Inventory	7.0
Manufacturer Name	SCHAEFFLER GROUP
Minimum Buy Quantity	N/A
Weight / Kilogram	0.5
EAN	4012802702934
Product Group	B04144
Rolling Element	Combination - Needle Roller and Thrust Ball Bearing
Self Aligning	No
Component Description	Roller Assembly plus Raceways
Thrust Bearing	Yes
Single or Double Direction	Single Direction
Banded	No
Cage Material	Steel
Precision Class	ABEC 1 ISO P0
Other Features	With Grease Retaining Cap
Long Description	12MM Bore 1; 12MM Bore 2; 21MM Outside Diameter; 23MM Height; Combination - Needle Roller and Thrust Ball Bearing; Single Direction; Not Self Aligning; Not Banded; Steel Cage; ABEC 1 ISO P0; Roller
Inch - Metric	Metric



OLIE BEARING COMPANY

Category	Thrust Roller Bearings
UNSPSC	31171537
Harmonized Tariff Code	8482.80.00.40
Noun	Bearing
Keyword String	Combination
Manufacturer URL	http://www.ina.com
Manufacturer Item Number	NKX12Z
Weight / LBS	0.084
Bore 1	0.472 Inch 12 Millimeter
Bore 2	0.472 Inch 12 Millimeter
Outside Diameter	0.827 Inch 21 Millimeter
Height	0.906 Inch 23 Millimeter
Overall Height with Aligning Washer	0 Inch 0 Millimeter