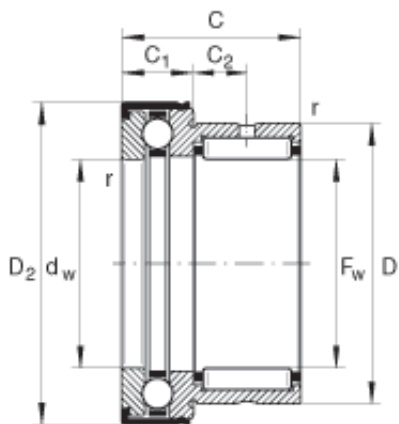


## INA NKX17-Z Combination Roller Bearings



Bearing No. NKX17-Z

Size	17x26x25 mm
Bore Diameter	17 mm
Outer Diameter	26 mm
Width	25 mm
$F_w$	17 mm
D	26 mm
C - 25 mm / Tolerance: -0,25	25 mm / Tolerance: 0,25
$C_1$ - 9 mm / Tolerance: -0,2	9 mm / Tolerance: 0,2
$C_2$	8 mm
$D_{2max}$	31,2 mm
$d_a$	25,7 mm
$d_w$	17 mm / Tolerance: E8
$r_{amax}$	0,3 mm
$r_{min}$	0,3 mm
	NAXK17Z / Designation to DIN 5429
m	55 g / Weight
$C_r$	13500 N / Dynamic load rating (radial)
$C_{0r}$	15000 N / Static load rating (radial)
$C_a$	10800 N / Dynamic load rating (axial)
$C_{0a}$	18200 N / Static load rating (axial)
$C_{ur}$	2750 N / Fatigue limit load,

NKX17-Z Bearing 2D drawings and 3D CAD models



# OLIE BEARING COMPANY

	radial
$C_{ua}$	870 N / Fatigue limit load, axial
$n_G$	8500 1/min / Limiting speed
	IR14X17X17 / Suitable inner ring
Category	Thrust Roller Bearing
Inventory	0.0
Manufacturer Name	SCHAEFFLER GROUP
Minimum Buy Quantity	N/A
Weight / Kilogram	0.066
EAN	4012802732887
Product Group	B00234
Rolling Element	Combination - Needle Roller and Thrust Ball Bearing
Self Aligning	No
Component Description	Roller Assembly plus Raceways
Thrust Bearing	Yes
Single or Double Direction	Single Direction
Banded	No
Cage Material	Steel
Precision Class	ABEC 1   ISO P0
Other Features	With Grease Retaining Cap
Long Description	17MM Bore 1; 17MM Bore 2; 26MM Outside Diameter; 25MM Height; Combination - Needle Roller and Thrust Ball Bearing; Single Direction; Not Self Aligning; Not Banded; Steel Cage; ABEC 1   ISO P0; Roller
Inch - Metric	Metric
Category	Thrust Roller Bearings



## OLIE BEARING COMPANY

UNSPSC	31171537
Harmonized Tariff Code	8482.80.00.40
Noun	Bearing
Keyword String	Combination
Manufacturer URL	<a href="http://www.ina.com">http://www.ina.com</a>
Manufacturer Item Number	NKX17Z
Weight / LBS	0.117
Overall Height with Aligning Washer	0 Inch   0 Millimeter
Bore 1	0.669 Inch   17 Millimeter
Outside Diameter	1.024 Inch   26 Millimeter
Bore 2	0.669 Inch   17 Millimeter
Height	0.984 Inch   25 Millimeter