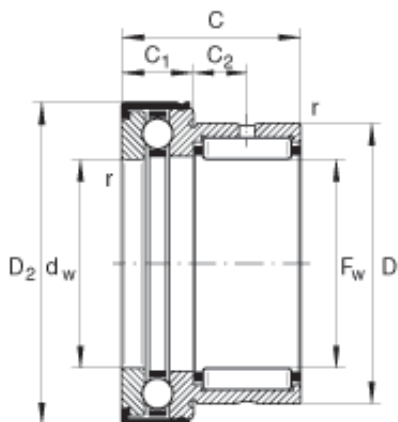


## INA NKX45-Z Combination Roller Bearings

Bearing No. NKX45-Z



NKX45-Z Bearing 2D drawings and 3D CAD models

Size	45x58x32 mm
Bore Diameter	45 mm
Outer Diameter	58 mm
Width	32 mm
$F_w$	45 mm
D	58 mm
C - 32 mm / Tolerance: -0,25	32 mm / Tolerance: 0,25
$C_1$ - 14 mm / Tolerance: -0,2	14 mm / Tolerance: 0,2
$C_2$	9 mm
$D_{2\max}$	66,5 mm
$d_a$	60,5 mm
$d_w$	45 mm / Tolerance: E8
$r_{a\max}$	0,6 mm
$r_{\min}$	0,6 mm
	NAXK45Z / Designation to DIN 5429
m	265 g / Weight
$C_r$	31000 N / Dynamic load rating (radial)
$C_{0r}$	53000 N / Static load rating (radial)
$C_a$	28000 N / Dynamic load rating (axial)
$C_{0a}$	69000 N / Static load rating (axial)



## OLIE BEARING COMPANY

C <sub>ur</sub>	9300 N / Fatigue limit load, radial
C <sub>ua</sub>	3350 N / Fatigue limit load, axial
n <sub>G</sub>	3600 1/min / Limiting speed
	IR40X45X20 / Suitable inner ring
Category	Thrust Roller Bearing
Inventory	0.0
Manufacturer Name	SCHAEFFLER GROUP
Minimum Buy Quantity	N/A
Weight / Kilogram	0.317
EAN	4012802733211
Product Group	B00234
Rolling Element	Combination - Needle Roller and Thrust Ball Bearing
Self Aligning	No
Component Description	Roller Assembly plus Raceways
Thrust Bearing	Yes
Single or Double Direction	Single Direction
Banded	No
Cage Material	Steel
Precision Class	ABEC 1   ISO P0
Other Features	With Grease Retaining Cap
Long Description	45MM Bore 1; 45MM Bore 2; 58MM Outside Diameter; 32MM Height; Combination - Needle Roller and Thrust Ball Bearing; Single Direction; Not Self Aligning; Not Banded; Steel Cage; ABEC 1   ISO P0; Roller
Inch - Metric	Metric



## OLIE BEARING COMPANY

Category	Thrust Roller Bearings
UNSPSC	31171537
Harmonized Tariff Code	8482.80.00.40
Noun	Bearing
Keyword String	Combination
Manufacturer URL	<a href="http://www.ina.com">http://www.ina.com</a>
Manufacturer Item Number	NKX45Z
Weight / LBS	0.556
Overall Height with Aligning Washer	0 Inch   0 Millimeter
Height	1.26 Inch   32 Millimeter
Bore 2	1.772 Inch   45 Millimeter
Outside Diameter	2.283 Inch   58 Millimeter
Bore 1	1.772 Inch   45 Millimeter