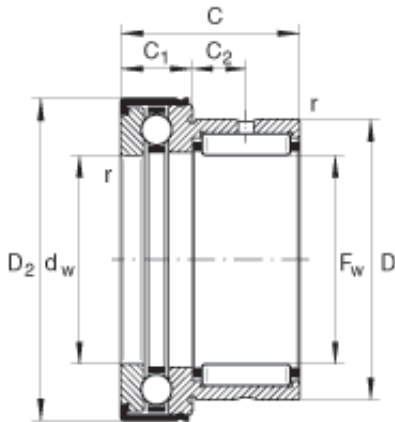


## INA NKX20-Z Combination Roller Bearings

Bearing No. NKX20-Z



NKX20-Z Bearing 2D drawings and 3D CAD models

Size	20x30x30 mm
Bore Diameter	20 mm
Outer Diameter	30 mm
Width	30 mm
$F_w$	20 mm
D	30 mm
C - 30 mm / Tolerance: -0,25	30 mm / Tolerance: 0,25
$C_1$ - 10 mm / Tolerance: -0,2	10 mm / Tolerance: 0,2
$C_2$	10,5 mm
$D_{2\max}$	36,2 mm
$d_a$	30,7 mm
$d_w$	20 mm / Tolerance: E8
$r_{a\max}$	0,3 mm
$r_{\min}$	0,3 mm
	NAXK20Z / Designation to DIN 5429
m	90 g / Weight
$C_r$	18600 N / Dynamic load rating (radial)
$C_{0r}$	23800 N / Static load rating (radial)
$C_a$	14300 N / Dynamic load rating (axial)
$C_{0a}$	24700 N / Static load rating (axial)



## OLIE BEARING COMPANY

C <sub>ur</sub>	4150 N / Fatigue limit load, radial
C <sub>ua</sub>	1190 N / Fatigue limit load, axial
n <sub>G</sub>	7500 1/min / Limiting speed
	IR17X20X20 / Suitable inner ring
Category	Thrust Roller Bearing
Inventory	0.0
Manufacturer Name	SCHAEFFLER GROUP
Minimum Buy Quantity	N/A
Weight / Kilogram	0
EAN	4012802262124
Product Group	B04144
Rolling Element	Combination - Needle Roller and Thrust Ball Bearing
Self Aligning	No
Component Description	Roller Assembly plus Raceways
Thrust Bearing	Yes
Single or Double Direction	Single Direction
Banded	No
Cage Material	Steel
Precision Class	ABEC 1   ISO P0
Other Features	With Grease Retaining Cap
Long Description	20MM Bore 1; 20MM Bore 2; 30MM Outside Diameter; 30MM Height; Combination - Needle Roller and Thrust Ball Bearing; Single Direction; Not Self Aligning; Not Banded; Steel Cage; ABEC 1   ISO P0; Roller
Inch - Metric	Metric



## OLIE BEARING COMPANY

Category	Thrust Roller Bearings
UNSPSC	31171537
Harmonized Tariff Code	8482.80.00.40
Noun	Bearing
Keyword String	Combination
Manufacturer URL	<a href="http://www.ina.com">http://www.ina.com</a>
Manufacturer Item Number	NKX20Z
Weight / LBS	0.183
Bore 1	0.787 Inch   20 Millimeter
Bore 2	0.787 Inch   20 Millimeter
Height	1.181 Inch   30 Millimeter
Overall Height with Aligning Washer	0 Inch   0 Millimeter
Outside Diameter	1.181 Inch   30 Millimeter